

Technical specification:

Rated voltage: 30 V
IEC 61076-2-104

Current rating: 1,5 A at 40°C
IEC 61076-2-104

Insulation resistance: $\geq 100 \text{ M}\Omega$
IEC 60512

Pollution degree: 3/2
IEC 60664-1

Degree of protection: IP 67, in mated condition
IEC 60529

Temperature range: -30°C ... +80°C

Mating cycles: ≥ 100
IEC 60512-9a

Materials:

Contact: CuZn

Contact plating: Nickel, gold plated

Contact carrier: PA6, UL 94

Sealing: FPM

Conternut: CuZn, nickel plated

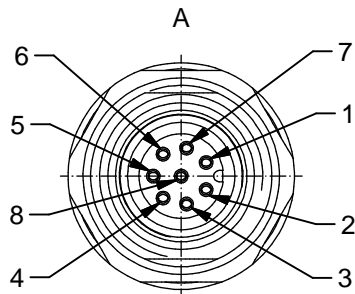
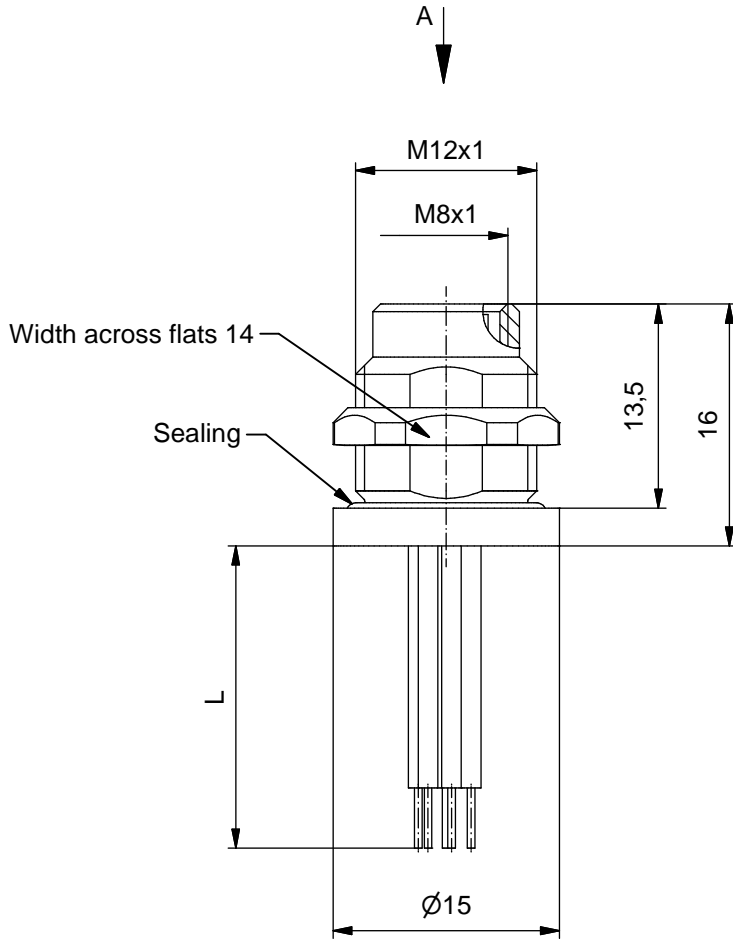
Socket housing: CuZn, nickel plated

Grouting: Polyurethane-resin, UL 94

Installation specification:

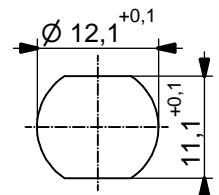
Recommended torque: 0,6 - 0,8 Nm

Conec installation tool: Torque wrench: 36-000200
Insert across flats 14: 36-000370

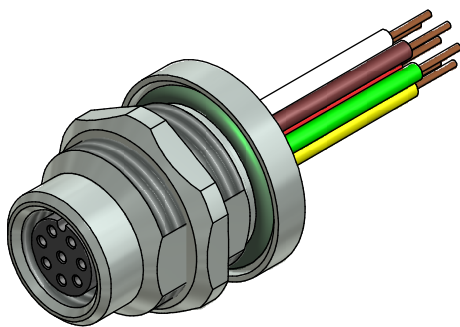


Contact assignment:

- 1) white
- 2) brown
- 3) green
- 4) yellow
- 5) grey
- 6) pink
- 7) blue
- 8) red



Minimum wall thickness 1,5mm, alternativ panel cut-out d=12,1



Part no:	Description:	Pos	Length L:	Wire:
42-01150	SAL - 8 - FKH8 - 0,2	8	0,2m	AWG 26 PVC, UL
42-xxxxx	SAL - 8 - FKH8 - ...	8	x	

DO NOT ALTER CAD DRAWING BY HAND Directive 2011/65/EU RoHS compliant	dim. in mm	title: Female socket M8x1 with wire, backmounting								
	<table border="1" style="font-size: 8px;"> <tr> <td></td> <td>date</td> <td>name</td> </tr> <tr> <td>drawn</td> <td>12.08.13</td> <td>Christen</td> </tr> <tr> <td>appd.</td> <td>12.08.13</td> <td>Mankopf</td> </tr> </table>					date	name	drawn	12.08.13	Christen
		date	name							
	drawn	12.08.13	Christen							
appd.	12.08.13	Mankopf								
tolerance of wire: L ≤ 0,5m: L + 20mm L > 0,5m: L + 4%	dwg no: <div style="text-align: center; font-size: 12px; font-weight: bold;">42K1A531</div>									
general tolerance: 0 ± 0,50mm 0,0 ± 0,25mm 0,00 ± 0,10mm	part no: <div style="text-align: center; font-size: 12px; font-weight: bold;">42K1A531</div>									

THIS DRAWING MAY NOT BE COPIED OR REPRODUCED IN ANY WAY, AND MAY NOT BE PASSED ON TO A THIRD PARTY WITHOUT WRITTEN PERMISSION. OWNERSHIP AND COPYRIGHT OF CONEC GmbH

