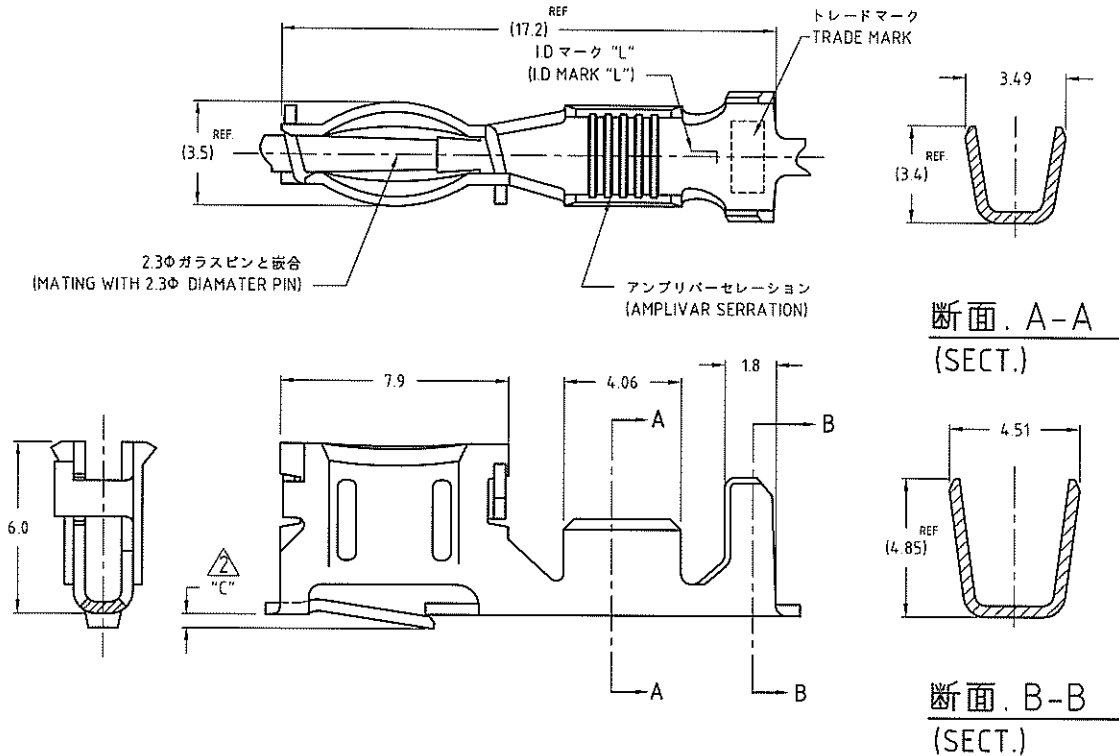


LOC J	DIST	REVISONS 変更			DATE	OWN	APVD
		P	LTR	DESCRIPTION			
		E1	REVISED	ECR-08-031186	17DEC2008	M.S	N.Y



- 注：  
 1. 適用ハウジング □-171370-□  
 ▲ランス高さ

	圧着前	圧着後
寸法 "C"	0.7MAX	0.7~1.6

- NOTES;  
 1. APPLICABLE HSG□-171370-□  
 ▲ LANCE HEIGHT

	BEFORE CRIMPING	AFTER CRIMPING
DIMENSION "C"	0.7MAX	0.7~1.6

0.77~2.13mm <sup>2</sup> (AWG #18~#14)	2.0~2.9mm	353937-1
(WIRE RANGE) 抱合電線断面積	(INSULATION DIA) 被覆外径	型番 (P/N)

DIMENSIONS: 単位: 寸 mm	DWN J.SATO	23MAY2007	MATERIAL 材料 焼青銅(PHOS-BRO)	FINISH 仕上 錫めっき(TIN PLATED)
	CHK S.MANABE	25MAY2007	Tyco Electronics AMP K.K. Kawasaki, Japan	
TOLERANCES UNLESS OTHERWISE SPECIFIED: 一般公差  10 ≥ ± 0.2 > 10 ± 0.25 ± ± ±	APVD S.MANABE	25MAY2007		
	ANGLES ± 3DEG	PRODUCT SPEC 製品規格 108-5574-1	APPLICATION SPEC 取付適用規格 114-5242-1	SIZE A4
	WEIGHT		DRAWING NO 番号 C= 353937	RESTRICTED TO -
CUSTOMER DRAWING			SCALE 尺度 4:1	SHEET 1 OF 1
			REV E1	

THIS DRAWING IS UNPUBLISHED. ALL RIGHTS RESERVED. BY TYCO ELECTRONICS CORPORATION.