

4

3

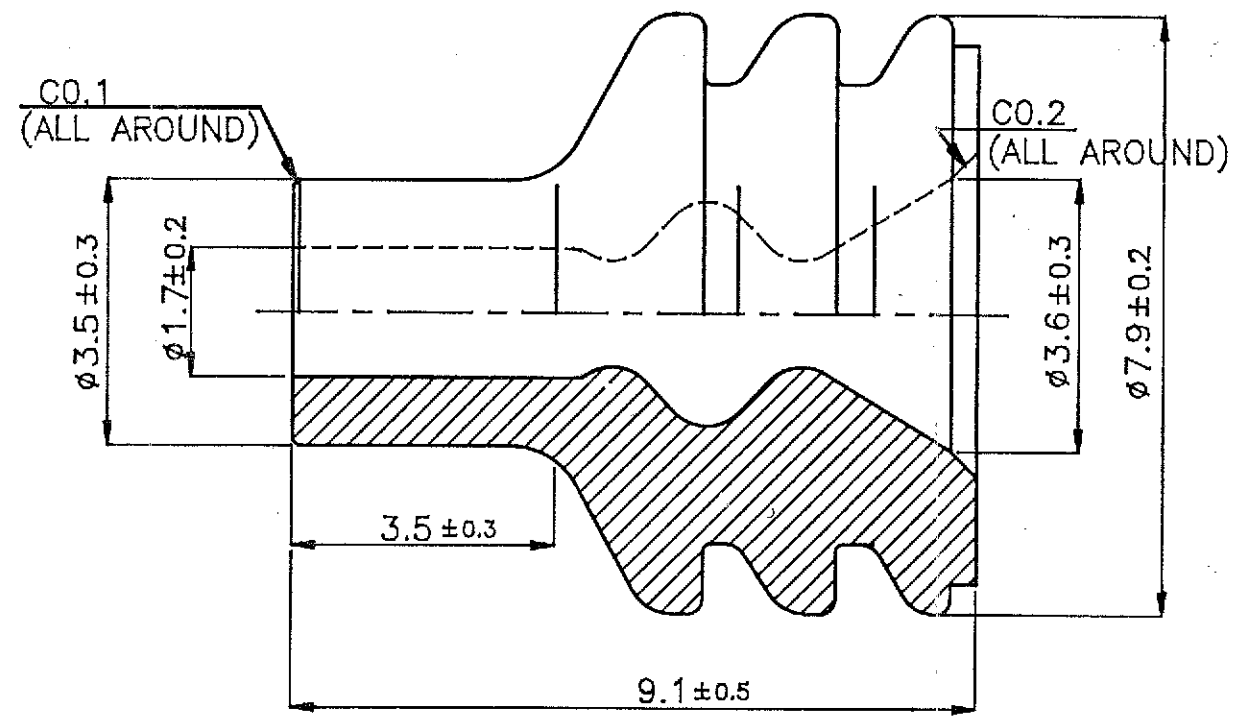
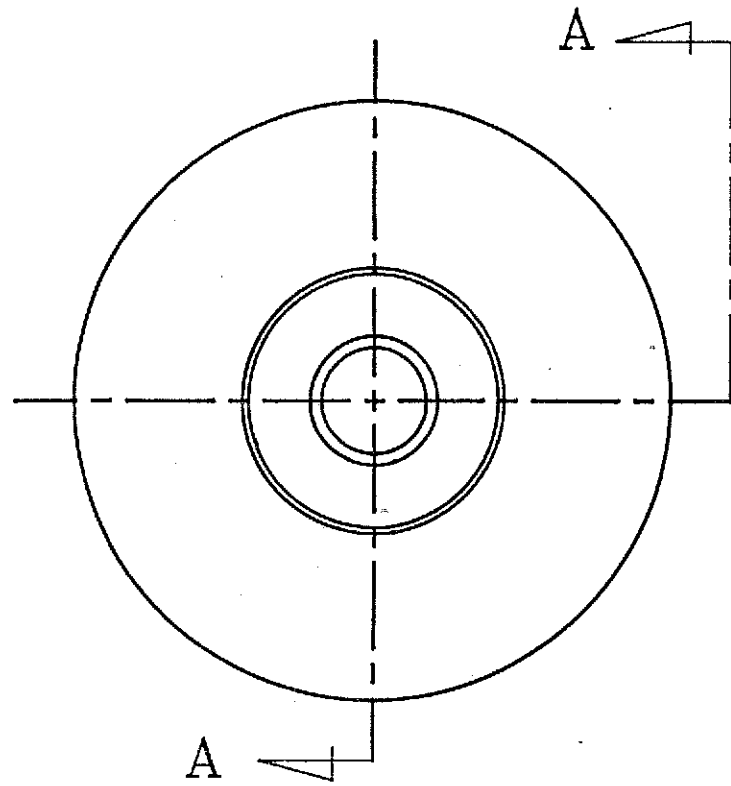
2

1

DRAWING MADE IN KOREAN PROJECTION

DIMENSIONS IN MM

CUSTOMER DRAWING



SECTION A-A

* NOTE *

- 1. APPLICABLE CONTACT P/N : 175087 , 175090.
- 2. APPLICABLE HSG P/N : 176143 , 176146.

GREY	85024-1
COLOR	PART NO.

GENERAL TOLERANCES	
10 MAX	±0.2
10 OVER 30 MAX	±0.25
30 OVER 100 MAX	±0.3
ANGLES	±5'

LTR	REVISION RECORD	DR	CHK	DATE
○	RELEASED(P93-042)	JK	CS	4/19/83

© 19 AMP MFG KOREA ALL RIGHT RESERVED AMP PRODUCTS COVERED BY PATENTS AND OR PATENTS PENDING		AMP * AMP MFG KOREA	
WIRE RANGE 0.3-1.25 mm²		INSULATION DIA 1.6 - 2.9mm	
MATERIAL NBR		FINISH/COLOR SEE TABLE	
DR EH HONG		APP CS LEE	
CHK JK SONG		REL JK SONG	
NAME RUBBER PLUG FOR 187 SEALED CONNECTOR			
TOLERANCES 0 < X < 10 ±0.2 10 ≤ X < 30 ±0.25 30 ≤ X < 100 ±0.3 ANGLES 3		SIZE A3	LOC DS
		NO 85024	REV 0
		SCALE 10/1	SHEET 1/1

PRINT DIST.
DO NOT SCALE PRINT